

FEATURES

- Miniature solenoid valves for medical and gas analysers and biotechnology equipment
- Designed to control acids, bases and analytical reagents
- Hermetic separation of control mechanism and fluid:
 - Prevents particulate contamination caused by friction of moving parts, assuring maximum purity of fluid
 - Ensures reliable operation in applications with highly aggressive fluids
- Reduced heat transfer between control mechanism and fluid
- Good self-draining capability and easy-to-flush internal cavity
- Low dead volume
- Power savings and reduced heat exchange due to special integrated electronics
- Easy installation
- High-quality materials and thorough testing offer high reliability and an unprecedented service life

GENERAL

Differential pressure	-0,9 to +3 bar (usable in 0,1 bar abs. vacuum) [1 bar =100 kPa]
Maximum viscosity	20 cSt (mm ² /s)
Response time	< 10 ms
Dead volume	< 13 µl (connections not included)

fluids (*)	temperature range (TS)	seal materials (*)
liquids or gases (filtered 50 µm)	+10°C to +40°C ⁽³⁾	FFPM (perfluoroelastomer)

MATERIALS IN CONTACT WITH FLUID

(*) Ensure that the compatibility of the fluids in contact with the materials is verified

Body	PEEK
Diaphragm	FFPM
Seals	FFPM
Long flange	PEEK

OTHER MATERIALS

Internal parts	Stainless steel
-----------------------	-----------------

ELECTRICAL CHARACTERISTICS

Coil insulation class	F
Connector	2 contacts (5,08 mm pin spacing) for plug-type connector with 2 lead wires (0,5 mm ²) ⁽²⁾ (EN 60335) or with cable ends, length 0,5 m

Electrical safety	IEC 335
Electrical enclosure protection	IP40 (EN 60529) with built-in LED and electrical protection
Standard voltages	DC (=) : 12V - 24V

(Other voltages on request)

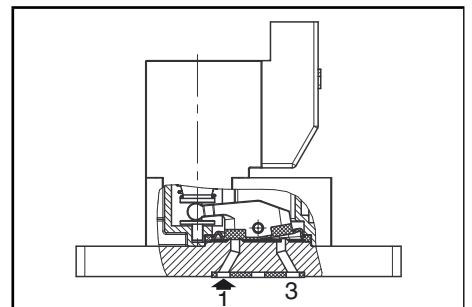
prefix option	power ratings			⁽⁴⁾ =	operator ambient temperature range (TS) (C°)	replacement coil		type ⁽¹⁾
	inrush ~ (VA)	holding ~ (VA)	(W)					
SC	-	-	-	2,5 / 1	+10 to +50	-	-	01-02
L	-	-	-	2,5 / 1	+10 to +50	-	-	03

⁽¹⁾ Refer to the dimensional drawings on the page 3.

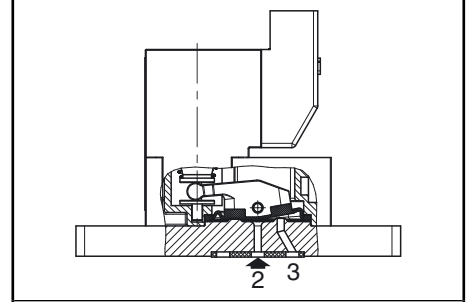
⁽²⁾ Plug-type connectors with 0,5m, 1,5 m or 5 m lead wires to be ordered separately, see page 2.

⁽³⁾ Seals and diaphragm: FPM, +10°C to +40°C / EPDM, +5°C to +40°C.

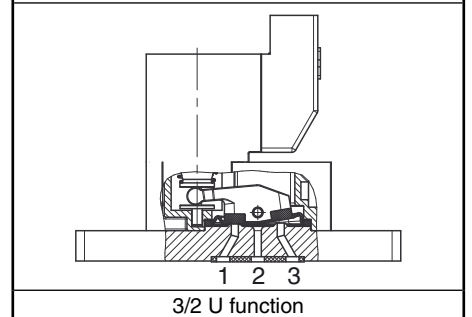
⁽⁴⁾ With integrated electronic card with power-save function, 1 W after 15 ms of operation.



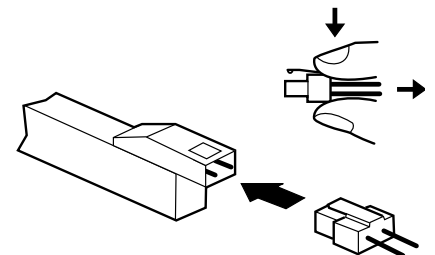
2/2 NC function



2/2 NO function



3/2 U function



Version designed for 2-wire plug-type connector with 5,08 mm pin spacing

SPECIFICATIONS

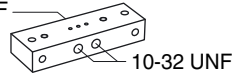
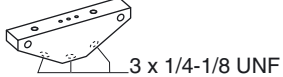
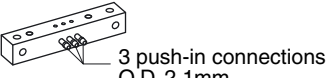
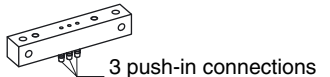
pipe size	orifice size (mm)	flow coefficient Kv (m³/h) (l/min)		operating pressure differential (bar)		power coil (W)	catalogue number			options		
				min.	max. (PS)		horizontal connection	vertical connection	with cable ends	FPM	EPDM	
					gases liquids (*)							
					=	=	=	=	=			
2/2 NC - Normally closed												
pad mounting	0,6	0,006	0,1	-0,9	3	1	SCS067A021	SCS067A022	LS067A025	V	E	-
	0,8	0,010	0,18	-0,9	2	1	SCS067A026	SCS067A027	LS067A030	V	E	-
	1	0,017	0,29	-0,9	1,5	1	SCS067A031	SCS067A032	LS067A035	V	E	-
	1,35	0,026	0,44	-0,9	1	1	SCS067A036	SCS067A037	LS067A040	V	E	-
2/2 NO - Normally open												
pad mounting	0,6	0,006	0,1	-0,9	3	1	SCS067A061	SCS067A062	LS067A065	V	E	-
	0,8	0,010	0,18	-0,9	2	1	SCS067A066	SCS067A067	LS067A070	V	E	-
	1	0,017	0,29	-0,9	1,5	1	SCS067A071	SCS067A072	LS067A075	V	E	-
	1,35	0,026	0,44	-0,9	1	1	SCS067A076	SCS067A077	LS067A080	V	E	-
3/2 U - Universal												
pad mounting	0,6	0,006	0,1	-0,9	3	1	SCS067A101	SCS067A102	LS067A105	V	E	-
	0,8	0,010	0,18	-0,9	2	1	SCS067A106	SCS067A107	LS067A110	V	E	-
	1	0,017	0,29	-0,9	1,5	1	SCS067A111	SCS067A112	LS067A115	V	E	-
	1,35	0,026	0,44	-0,9	1	1	SCS067A116	SCS067A117	LS067A120	V	E	-

(1) Plug-type connector, 5,08 mm pin spacing, with 2 lead wires:

- length 0,5 m catalogue number **88118801**
- length 1,5 m catalogue number **88118802**
- length 3 m catalogue number **88118803**



SUBBASES

pipe size	mounting type	description	composition	catalogue number
Single PEEK subbases				
10-32 UNF	individual	side connection	10-32 UNF 	36100038
1/4-28 UNF	individual	bottom connection	 3 x 1/4-1/8 UNF	36100040
Push-in connections O.D. 2,1 mm for flexible tube	individual	side connection	 3 push-in connections O.D. 2,1mm	36100044
		bottom connection	 3 push-in connections O.D. 2,1mm	36100042

OPTIONS

- Valves can also be supplied with FPM (fluoroelastomer) and EPDM (ethylene-propylene) seals and diaphragm. Use the appropriate optional suffix letter for identification
- Plug-type connector, 0,5 m lead wires (catalogue number **88118801**) / 1,5 m lead wires (catalogue number **88118802**) / 3 m lead wires (catalogue number **88118803**)
- Impulse manual operator

INSTALLATION

- The solenoid valves can be mounted in any position without affecting operation
- Flange body provided with 2 mounting holes
- Pad-mounting solenoid valve supplied with seals for mounting on single subbase with threaded or push-in hose connections

ORDERING EXAMPLES:

SC	S	067	A	021	12V / DC
SC	S	067	A	022 V	24V / DC
SC	S	067	A	061	12V / DC
L	S	067	A	025	24V / DC

prefix — pipe thread — basic number — voltage — suffix

DIMENSIONS (mm), WEIGHT (kg)



TYPE 01

Prefix "SC" Solenoid
IEC 335 / horizontal connection 5,08 mm
IP40
Weight: 0,18

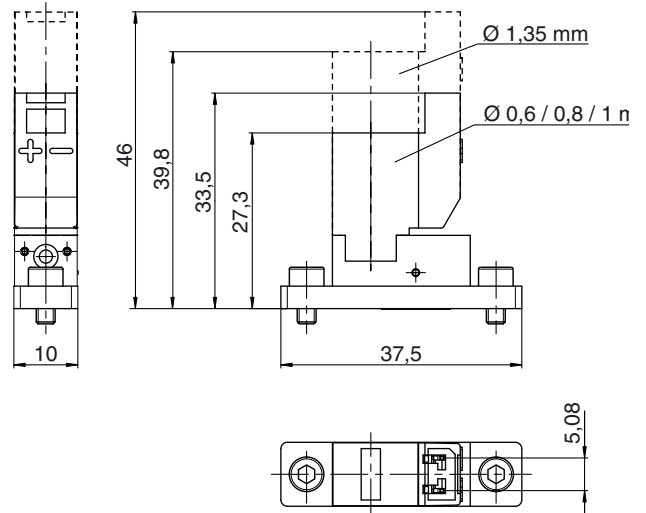
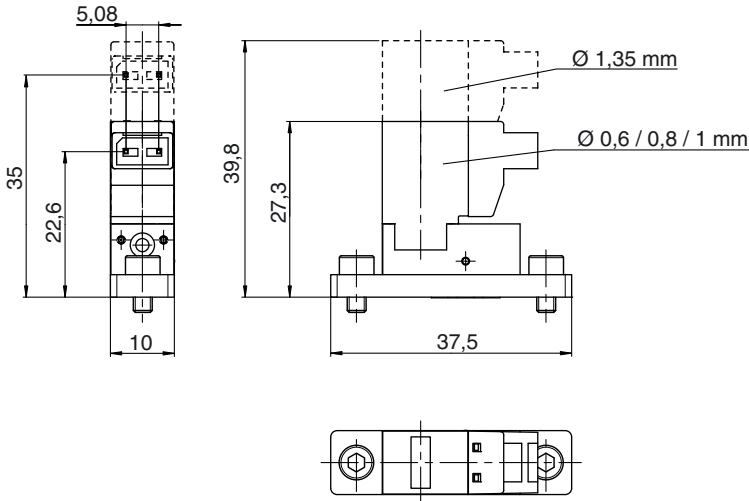
Ø 0,6/0,8/1 mm: SCS067A021/026/031/061/066/071/101/106/111
Ø 1,35 mm: SCS067A036/076/116



TYPE 02

Prefix "SC" Solenoid
IEC 335 / vertical connection 5,08 mm
IP40
Weight: 0,18

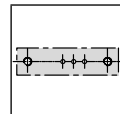
Ø 0,6/0,8/1 mm: SCS067A022/027/032/062/067/072/105/107/112
Ø 1,35 mm: SCS067A037/077/117



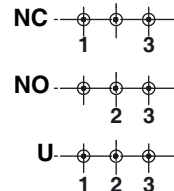
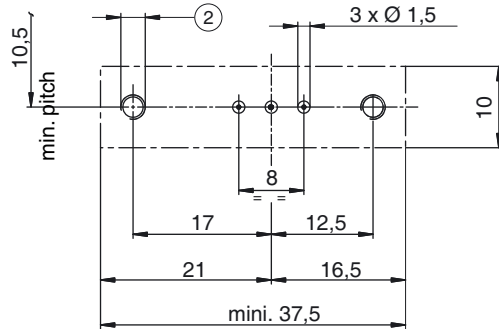
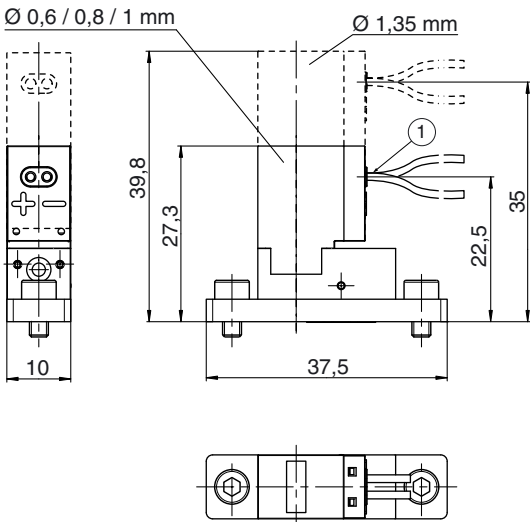
TYPE 03

Prefix "L" solenoid
IEC 335 / cable ends, length 0,5 m
IP40
Weight 0,22

Ø 0,6/0,8/1 mm: LS067A025/030/035/065/070/075/105/110/115
Ø 1,35 mm: LS067A040/080/120



MOUNTING PAD



- ① 2 wires, length 0,5 m
- ② 2 mounting holes Ø M3, depth 5 mm

type	prefix option	weight ⁽¹⁾
01-02	SC	0,18
03	L	0,22

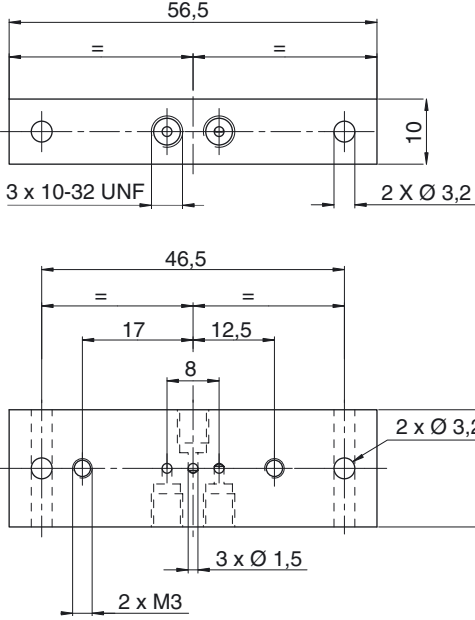
⁽¹⁾ Type 01- 02: without plug-type connector
Type 03: with 0,5 m cable ends

DIMENSIONS (mm), WEIGHT



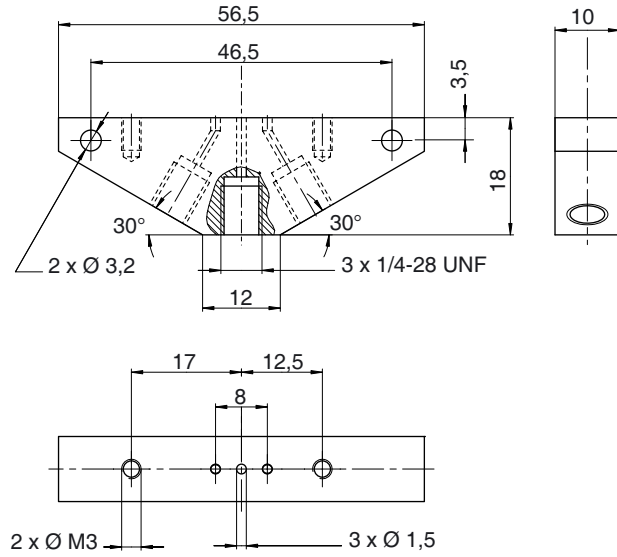
Single subbase with threaded connections
Side connection
10-32 UNF thread
PEEK

36100038



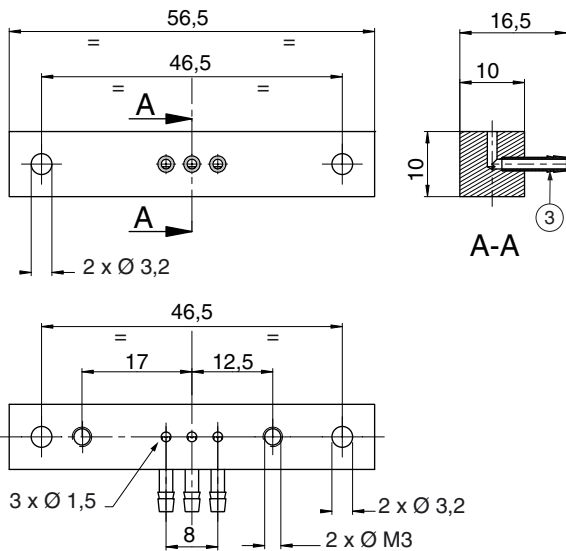
Single subbase with threaded connections
Bottom connection
1/4-28 UNF thread
PEEK

36100040



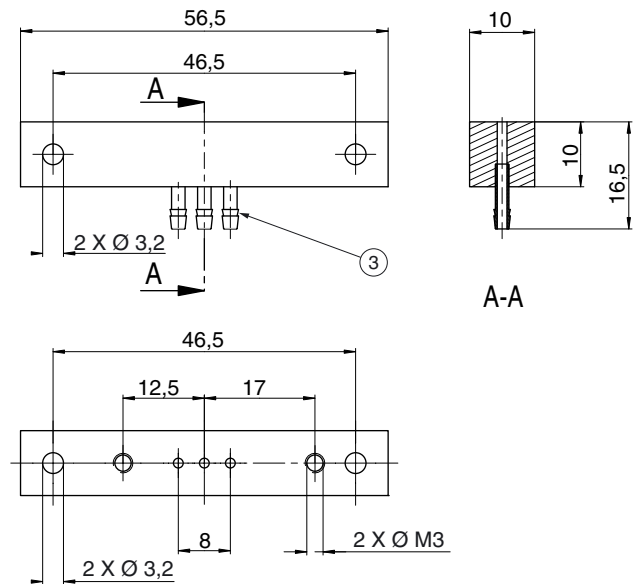
Single subbase with push-in hose connections
Side connection
Push-in connection O.D. 2,1mm
PEEK

36100044



Single subbase with push-in hose connections
Bottom connection
Push-in connection O.D. 2,1mm
PEEK

36100042



③ Push-in connection O.D. 2,1 mm for flexible tube